

# EURO-WALL, LLC

## EURO-PIVOT INSWING AND OUTSWING DOOR (WZ3) (IMPACT)

**GENERAL NOTES:**

- THE PRODUCT SHOWN HEREIN IS DESIGNED AND MANUFACTURED TO COMPLY WITH THE CURRENT FLORIDA BUILDING CODE (FBC), **EXCLUDING** HVHZ AND HAS BEEN EVALUATED ACCORDING TO THE FOLLOWING:
  - TAS 201-94
  - TAS 202-94
  - TAS 203-94
- ADEQUACY OF THE EXISTING STRUCTURAL CONCRETE/MASONRY, 2X AND METAL STUD FRAMING AS A MAIN WIND FORCE RESISTING SYSTEM CAPABLE OF WITHSTANDING AND TRANSFERRING APPLIED PRODUCT LOADS TO THE FOUNDATION IS THE RESPONSIBILITY OF THE ENGINEER OR ARCHITECT OF RECORD FOR THE PROJECT OF INSTALLATION.
- 1X AND 2X BUCKS (WHEN USED) SHALL BE DESIGNED AND ANCHORED TO PROPERLY TRANSFER ALL LOADS TO THE STRUCTURE. BUCK DESIGN AND INSTALLATION IS THE RESPONSIBILITY OF THE ENGINEER OR ARCHITECT OF RECORD FOR THE PROJECT OF INSTALLATION.
- THE INSTALLATION DETAILS DESCRIBED HEREIN ARE GENERIC AND MAY NOT REFLECT ACTUAL CONDITIONS FOR A SPECIFIC SITE. IF SITE CONDITIONS CAUSE INSTALLATION TO DEVIATE FROM THE REQUIREMENTS DETAILED HEREIN, A LICENSED ENGINEER OR ARCHITECT SHALL PREPARE SITE SPECIFIC DOCUMENTS FOR USE WITH THIS DOCUMENT.
- APPROVED IMPACT PROTECTIVE SYSTEM **IS NOT REQUIRED** TO PROTECT THIS PRODUCT IN WIND ZONE 3 OR LESS.
- APPROVED IMPACT PROTECTIVE SYSTEM **IS REQUIRED** TO PROTECT THIS PRODUCT IN WIND ZONE 4.
- DOOR FRAME MATERIAL: EXTRUDED ALUMINUM (6063-T5).
- GLASS MEETS THE REQUIREMENTS OF ASTM E1300 GLASS CHARTS. SEE SHEET 1 FOR GLAZING DETAILS.
- DISSIMILAR METALS INCLUDING FASTENERS THAT MAY COME INTO CONTACT WITH ALUMINUM COMPONENTS SHALL BE PROTECTED IN ACCORDANCE WITH THE FBC.

NOTE: WHEN INSTALLED AT A LOCATION PROTECTED BY AN OVERHANG SUCH THAT:  
 $OVERHANG (OH) RATIO = OH LENGTH \div OH HEIGHT \geq 1.0$ ,  
 WATER INFILTRATION REQUIREMENT DOES NOT NEED TO BE MET

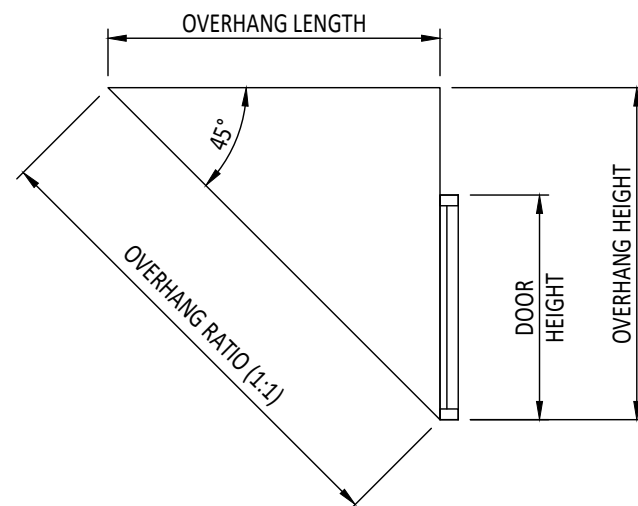
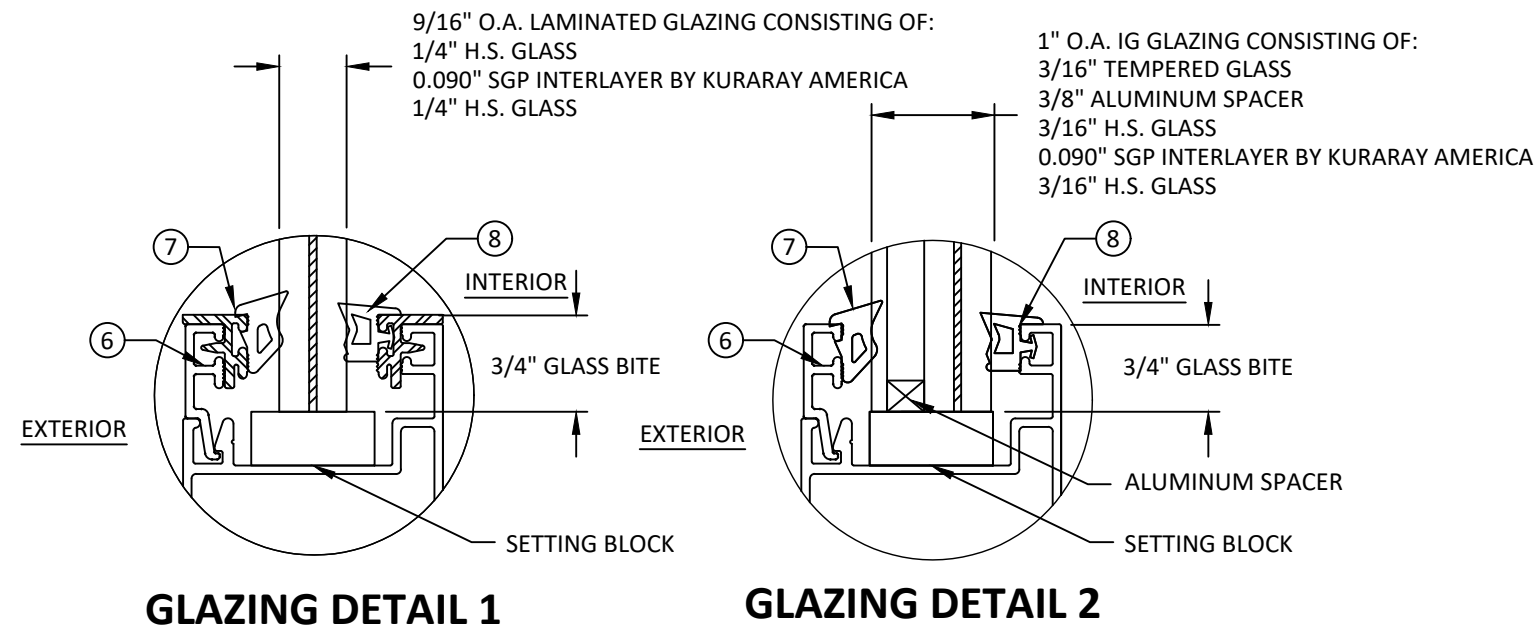


TABLE OF CONTENTS	
SHEET	SHEET DESCRIPTION
1	GENERAL NOTES & GLAZING DETAILS
2	ELEVATIONS & ANCHOR LAYOUT
3	DESIGN PRESSURE TABLES
4	VERTICAL SECTIONS
5	HORIZONTAL SECTIONS
6	INSTALLATION NOTES & ANCHOR TABLE
7	BILL OF MATERIALS & COMPONENTS

DESIGN PRESSURE RATING			
MAX. UNIT DIMENSIONS	DESIGN PRESSURE	MISSILE IMPACT RATING	WATER TEST PRESSURE
SEE SHEET 3	SEE SHEET 3	LMI & SMI	9 PSF



- GLAZING NOTES:**
- GLAZING COMPLIES WITH ASTM E1300 AND FBC SAFETY GLAZING REQUIREMENTS.
  - SETTING BLOCK DUROMETER HARDNESS OF 70-90 (SHORE A) AS REFERENCED IN CHAPTER 24.
  - SETTING BLOCKS TO BE LOCATED AT 1/4 SPAN LENGTH FOR GLASS WIDER THAN 36" AS PER CHAPTER 24.
  - D.L.O. MAY NOT EXCEED MAX DIMENSIONS SHOWN ON ELEVATIONS.

TITLE: EURO-PIVOT INSWING AND OUTSWING DOOR (WZ3) (IMPACT)  
 GENERAL NOTES & GLAZING DETAILS

PREPARED BY: BUILDING DROPS, INC.  
 398 E. DANIA BEACH BLVD., STE. 338  
 DANIA BEACH, FL 33004  
 PH: (954) 399-8478  
 FAX: (954) 744-4738  
 WEB: www.buildingdrops.com

REMARKS	BY	DATE
NEW TESTING	LL	4.4.21
MISC. UPDATE	OL	6.16.23
COMPANY NAME UPD.	SH	9.29.23

THE INSTALLATION DETAILS DESCRIBED HEREIN ARE GENERIC AND MAY NOT REFLECT ACTUAL CONDITIONS FOR A SPECIFIC SITE. IF SITE CONDITIONS CAUSE INSTALLATION TO DEVIATE FROM THE REQUIREMENTS DETAILED HEREIN, A LICENSED ENGINEER OR ARCHITECT SHALL PREPARE SITE SPECIFIC DOCUMENTS FOR USE WITH THIS DOCUMENT.

HERMES F. NORERO  
 LICENSE No. 73778  
 STATE OF FLORIDA  
 PROFESSIONAL ENGINEER  
 398 E. DANIA BEACH BLVD. # 338  
 DANIA BEACH, FL 33004  
 FBPE CERT. OF AUTHORIZATION No. 29578

FL #: **FL22410**

DATE: **12.09.20**

DWG. BY: **YC** | CHK. BY: **HFN**

SCALE: **NTS**

DWG. #: **EWS019**

SHEET: **1** OF 7

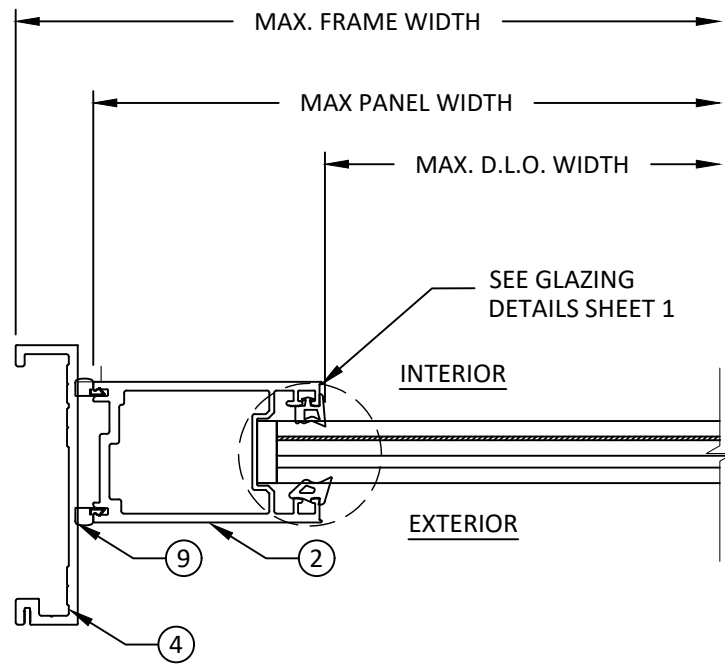




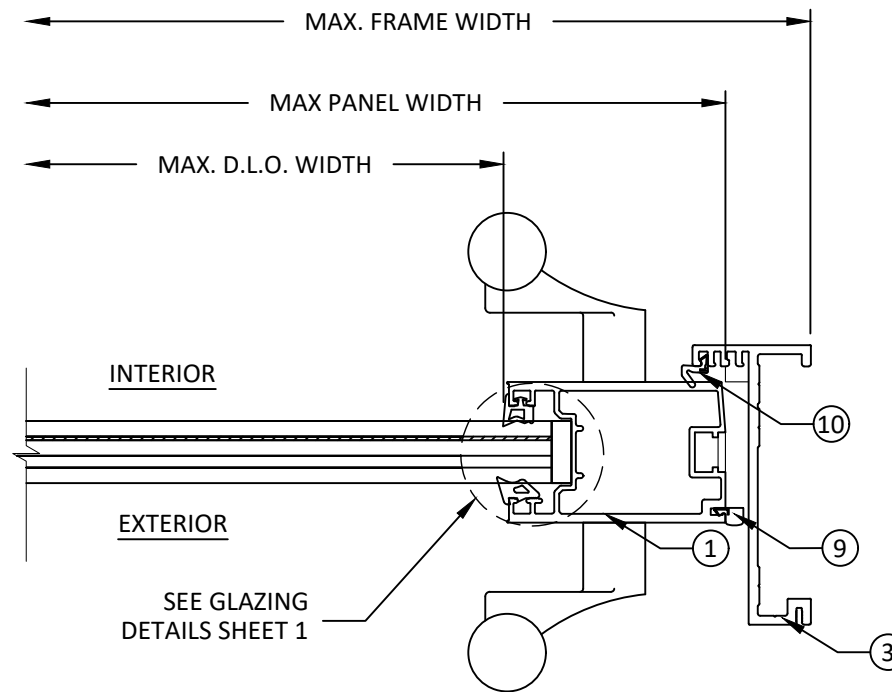




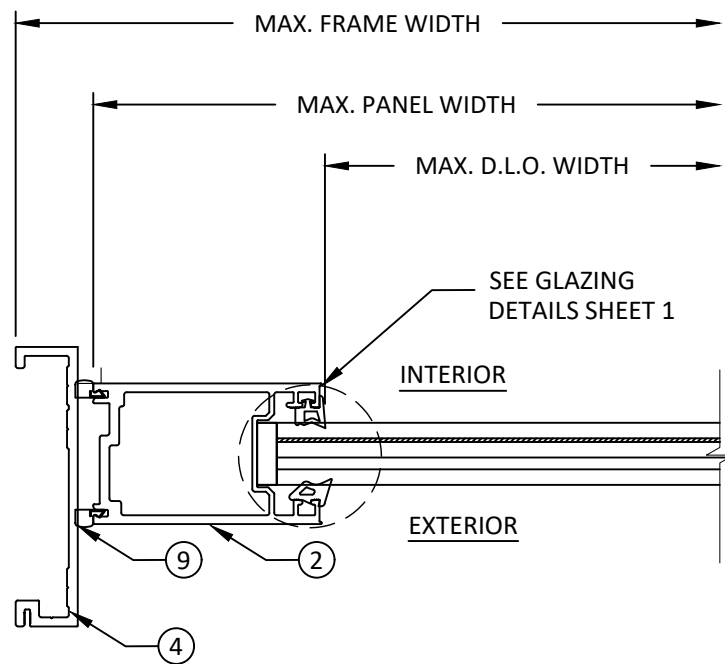
s:\projects\euro-wall systems\fb-23-0818 - fbc submittal - fbc submittal - fbc submittal - ew change\dwg\122410\_ew019.dwg 9/29/2023 1:44 PM



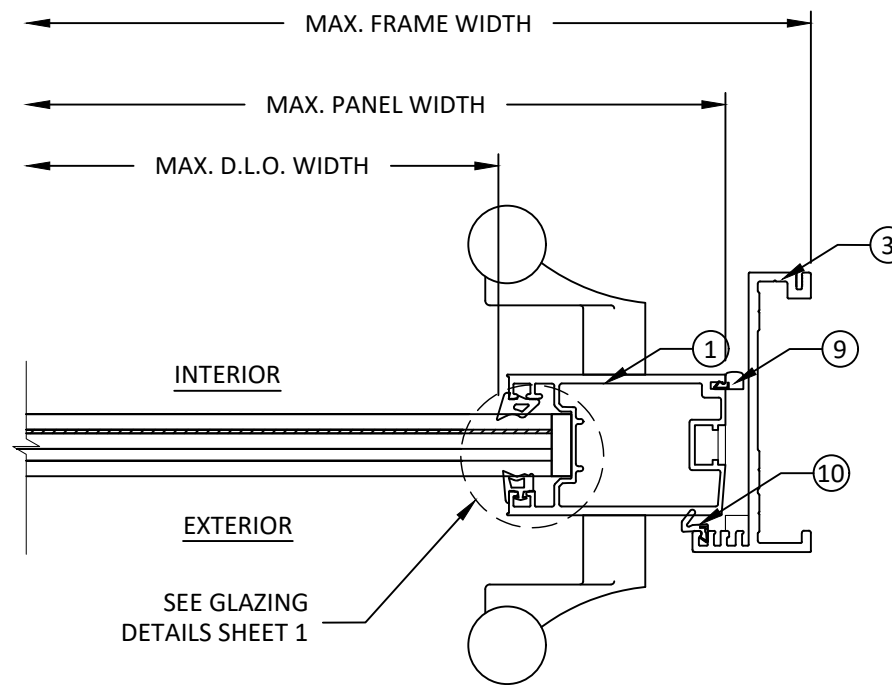
**A** HORIZONTAL SECTION  
**5** OUTSWING DOOR



**B** HORIZONTAL SECTION  
**5** OUTSWING DOOR



**C** HORIZONTAL SECTION  
**5** INSWING DOOR



**D** HORIZONTAL SECTION  
**5** INSWING DOOR

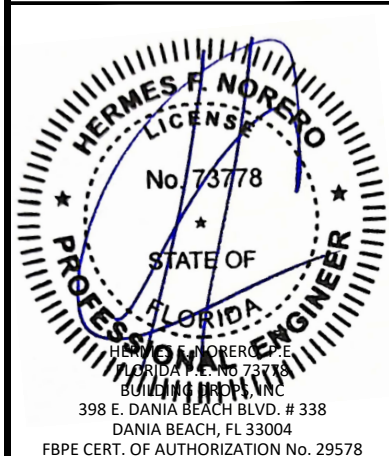
TITLE: EURO-PIVOT INSWING AND OUTSWING DOOR (WZ3) (IMPACT) HORIZONTAL SECTIONS

PREPARED BY: **BUILDING DROPS, INC.**  
398 E. DANIA BEACH BLVD., STE. 338  
DANIA BEACH, FL 33004  
PH: (954)399-8478  
FAX: (954)744-4738  
WEB: www.buildingdrops.com



REMARKS	BY	DATE
NEW TESTING	LL	4.4.21
MISC. UPDATE	OL	6.16.23
COMPANY NAME UPD.	SH	9.29.23

THE INSTALLATION DETAILS DESCRIBED HEREIN ARE GENERIC AND MAY NOT REFLECT ACTUAL CONDITIONS FOR A SPECIFIC SITE. IF SITE CONDITIONS CAUSE INSTALLATION TO DEVIATE FROM THE REQUIREMENTS DETAILED HEREIN, A LICENSED ENGINEER OR ARCHITECT SHALL PREPARE SITE SPECIFIC DOCUMENTS FOR USE WITH THIS DOCUMENT.



FL #: **FL22410**

DATE: **12.09.20**

DWG. BY: **YC** | CHK. BY: **HFN**

SCALE: **NTS**

DWG. #: **EWS019**

SHEET:

**5**

**INSTALLATION NOTES:**

- ONE (1) INSTALLATION ANCHOR IS REQUIRED AT EACH ANCHOR LOCATION SHOWN UNLESS SPECIFIED IN THE ANCHOR SCHEDULE. TWO (2) INSTALLATION ANCHORS AT THE JAMBS.
- THE NUMBER OF INSTALLATION ANCHORS DEPICTED IS THE MINIMUM NUMBER OF ANCHORS TO BE USED FOR PRODUCT INSTALLATION OF THE MAXIMUM SIZE LISTED.
- INSTALL INDIVIDUAL INSTALLATION ANCHORS WITHIN A TOLERANCE OF ±1/2 INCH THE DEPICTED LOCATION & SPACING IN THE ANCHOR LAYOUT DETAILS (I.E., WITHOUT CONSIDERATION OF TOLERANCES). TOLERANCES ARE NOT CUMULATIVE FROM ONE INSTALLATION ANCHOR TO THE NEXT.
- SHIM AS REQUIRED AT EACH INSTALLATION ANCHOR WITH LOAD BEARING SHIM(S). MAXIMUM ALLOWABLE SHIM STACK TO BE 1/4 INCH. SHIM WHERE SPACE OF 1/16 INCH OR GREATER OCCURS. SHIM(S) SHALL BE CONSTRUCTED OF HIGH DENSITY PLASTIC OR BETTER.
- FOR MASONRY OR CONCRETE OPENINGS, 1X WOOD BUCK MAY BE USED (OPTIONAL AS LONG AS THE MINIMUM EMBEDMENT AND EDGE DISTANCE REQUIREMENTS ARE STILL MET WITHIN THE CORRESPONDING HOST SUBSTRATE.) SEE GENERAL NOTE #3 ON SHEET 1 FOR MORE INFORMATION.
- MINIMUM EMBEDMENT AND EDGE DISTANCE EXCLUDE WALL FINISHES, INCLUDING BUT NOT LIMITED TO STUCCO, FOAM, BRICK VENEER, AND SIDING.
- INSTALLATION ANCHORS AND ASSOCIATED HARDWARE MUST BE MADE OF CORROSION RESISTANT MATERIAL OR HAVE A CORROSION RESISTANT COATING.
- FOR HOLLOW BLOCK AND GROUT FILLED BLOCK, DO NOT INSTALL INSTALLATION ANCHORS INTO MORTAR JOINTS. EDGE DISTANCE IS MEASURED FROM FREE EDGE OF BLOCK OR EDGE OF MORTAR JOINT INTO FACE SHELL OF BLOCK.
- INSTALLATION ANCHORS SHALL BE INSTALLED IN ACCORDANCE WITH ANCHOR MANUFACTURER'S INSTALLATION INSTRUCTIONS, AND ANCHORS SHALL NOT BE USED IN SUBSTRATES WITH STRENGTHS LESS THAN THE MINIMUM STRENGTH SPECIFIED BY THE ANCHOR MANUFACTURER.

ANCHOR SCHEDULE				
METHOD	SUBSTRATE	ANCHOR SCHEDULE	MIN EMBEDMENT	MIN. EDGE DISTANCE
THROUGH FRAME (HEAD/JAMBS)	WOOD: MIN. SG = 0.55	#14 WOOD SCREW	1.5"	0.75"
	METAL: 18 GAUGE STEEL, MIN. Fy = 33KSI	#12 SELF DRILLING OR SELF TAPPING SCREW	3 THREADS MIN PENETRATION BEYOND METAL	0.50"
	METAL: ALUMINUM MIN. 1/8" THICKNESS. MIN. 6063-T5			
	CONCRETE: f'c=3000PSI	1/4" ITW TAPCON	1.75"	3.00"
	MASONRY: CMU per ASTM C90	1/4" ITW TAPCON	1.75"	4.00"

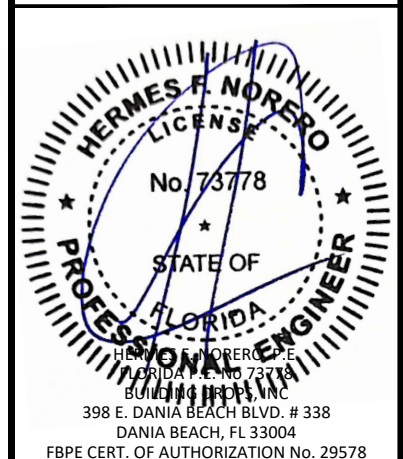
TITLE: EURO-PIVOT INSWING AND OUTSWING DOOR (WZ3) (IMPACT)  
INSTALLATION NOTES & ANCHOR TABLE

PREPARED BY: **BUILDING DROPS, INC.**  
398 E. DANIA BEACH BLVD., STE. 338  
DANIA BEACH, FL 33004  
PH: (954)399-8478  
FAX: (954)744-4738  
WEB: www.buildingdrops.com



REMARKS	BY	DATE
NEW TESTING	LL	4.4.21
MISC. UPDATE	OL	6.16.23
COMPANY NAME UPD.	SH	9.29.23

THE INSTALLATION DETAILS DESCRIBED HEREIN ARE GENERIC AND MAY NOT REFLECT ACTUAL CONDITIONS FOR A SPECIFIC SITE. IF SITE CONDITIONS CAUSE INSTALLATION TO DEVIATE FROM THE REQUIREMENTS DETAILED HEREIN, A LICENSED ENGINEER OR ARCHITECT SHALL PREPARE SITE SPECIFIC DOCUMENTS FOR USE WITH THIS DOCUMENT.



FL #: **FL22410**

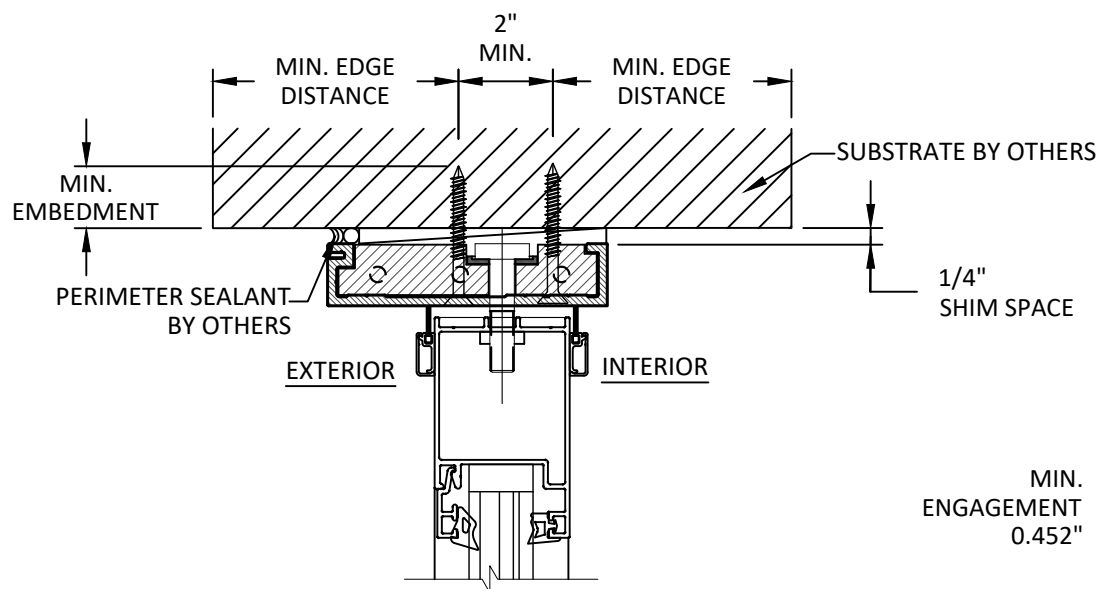
DATE: **12.09.20**

DWG. BY: <b>YC</b>	CHK. BY: <b>HFN</b>
--------------------	---------------------

SCALE: **NTS**

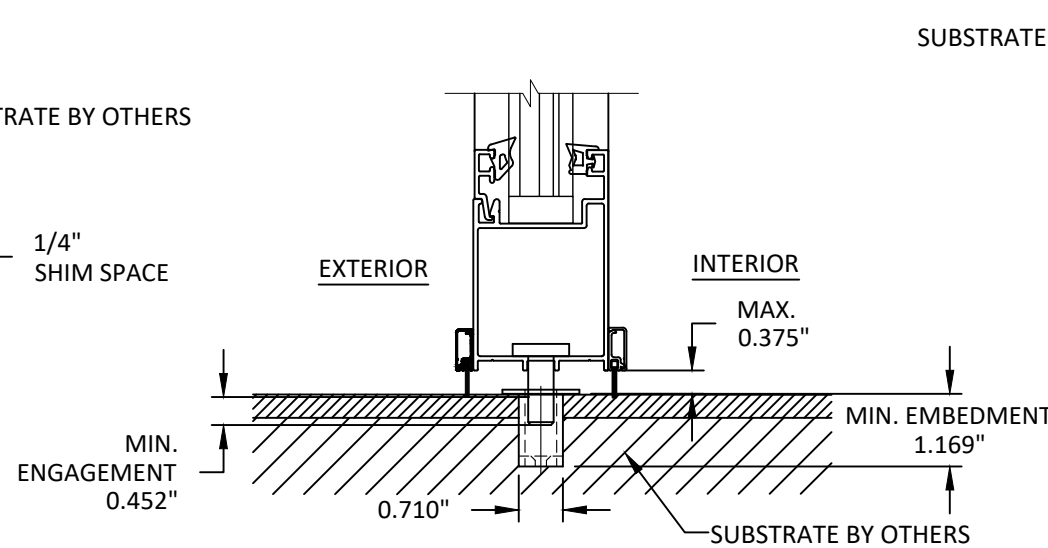
DWG. #: **EWS019**

SHEET:

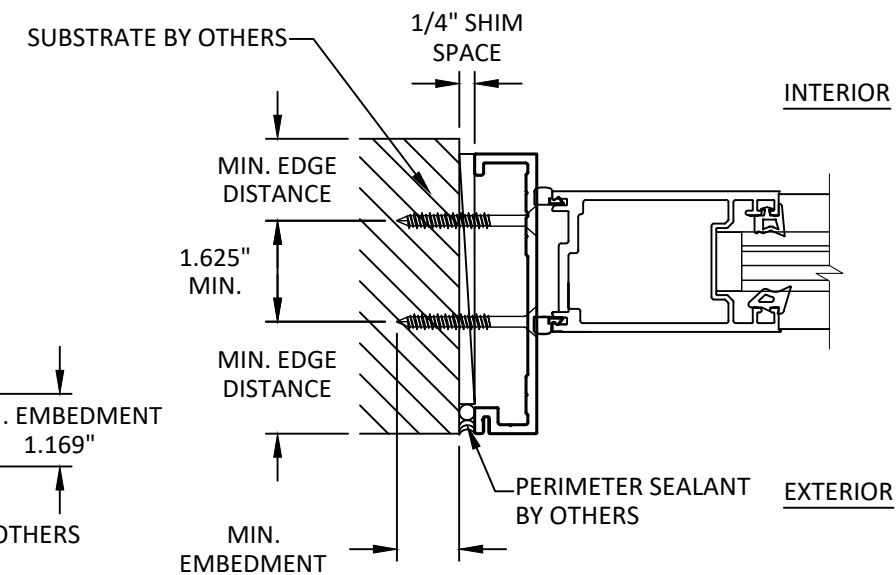


**A**  
**6** ANCHOR DETAIL THROUGH FRAME (HEAD)

OUTSWING DETAILS SHOWN, INSWING SIMILAR



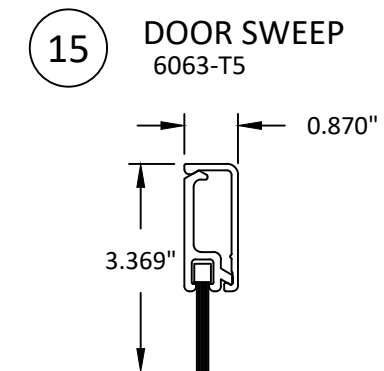
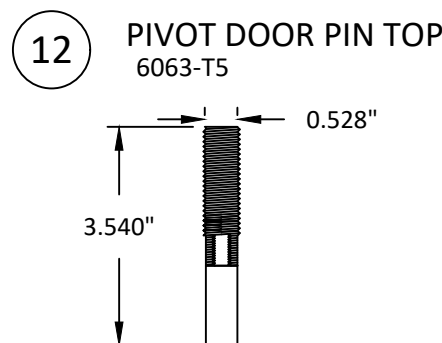
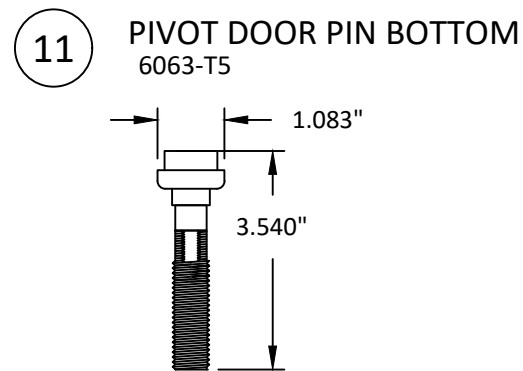
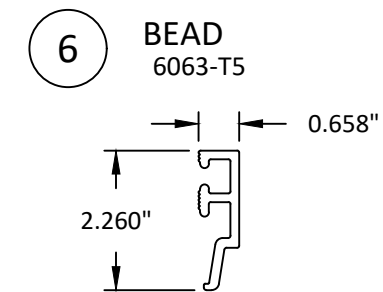
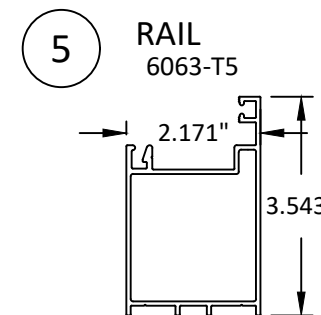
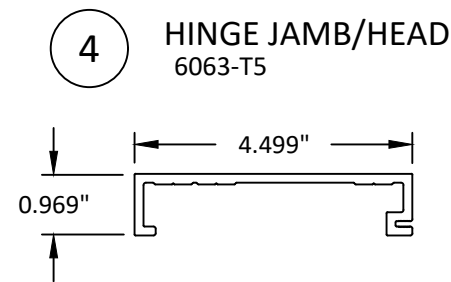
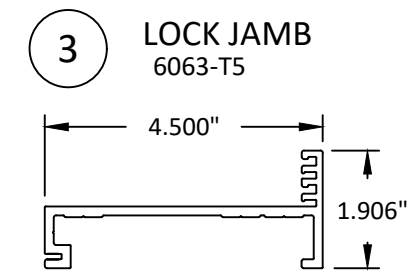
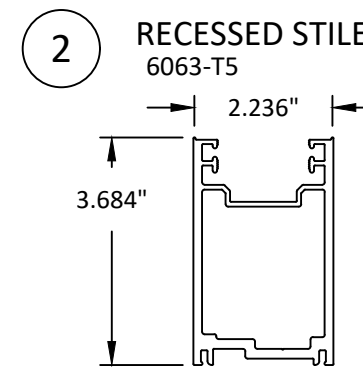
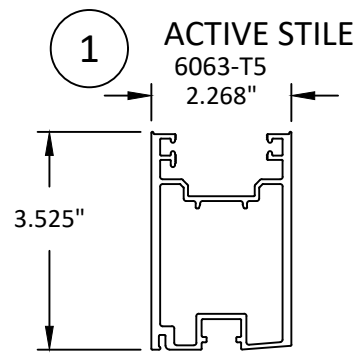
**B**  
**6** ANCHOR DETAIL PIVOT (SILL)



**C**  
**6** ANCHOR DETAIL THROUGH FRAME (JAMB)

s:\projects\euro-wall systems\fbc-23-0818 - fbc submittal - fbc submittal - fbc submittal - eww019.dwg  
 9/29/2023 1:44 PM

BILL OF MATERIALS			
NO	PART #	DESCRIPTION	MATERIAL
1	E0027-A C3	ACTIVE STILE	6063-T5
2	E0036-A C3	RECESSED STILE	6063-T5
3	E0033-A C3	LOCK JAMB	6063-T5
4	E0045-A PV	HINGE JAMB/HEAD	6063-T5
5	E0035-A C3	RAIL	6063-T5
6	E0010-A C3	BEAD	6063-T5
7	C0057-A	GLAZING-PIVOT 7/8"	6063-T5
8	C0058-A	BEDDING-PIVOT	6063-T5
9	C0112-A	BIG P WEATHER STRIPPING-PANEL	URETHANE
10	C0114-A	FRAME WEATHER STRIPPING	URETHANE
11	C0038-A	PIVOT DOOR PIN BOTTOM	SS
12	C0039-A	PIVOT DOOR PIN TOP	SS
13	C0062-A	TWIN POINT HANDLE SHORT	STEEL ASSY
14	C0064-A	MULTIPOINT HANDLE	STEEL ASSY
15	C0053-A	DOOR SWEEP	NYLON
16	E0062-A	C3 REDUCER BAR .25in	6063-T5
17	E0063-A	C3 REDUCER BAR 9/16	6063-T5
18	THUMB TURN	THUMB TURN	STEEL
19	E0031-A	CORNER KEY	6063-T5
20	PULL BAR	PULL BAR	ALLOY



**euro-wall**  
SUPERIOR BY DESIGN

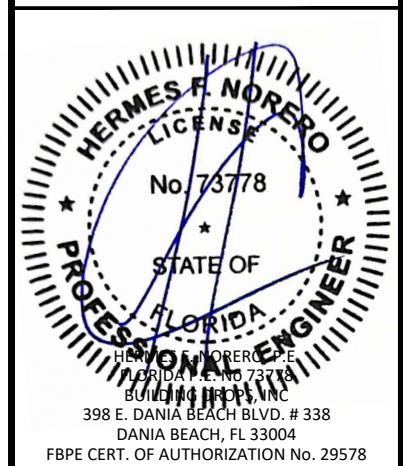
EURO-WALL, LLC  
P.O. BOX 8007  
NORTH PORT, FL 34290  
PH: 888-989-3876

TITLE: EURO-PIVOT INSWING AND OUTSWING DOOR (WZ3) (IMPACT) BILL OF MATERIALS

PREPARED BY: **BUILDING DROPS, INC.**  
398 E. DANIA BEACH BLVD., STE. 338  
DANIA BEACH, FL 33004  
PH: (954)399-8478  
FAX: (954)744-4738  
WEB: www.buildingdrops.com

REMARKS	BY	DATE
NEW TESTING	LL	4.4.21
MISC. UPDATE	OL	6.16.23
COMPANY NAME UPD.	SH	9.29.23

THE INSTALLATION DETAILS DESCRIBED HEREIN ARE GENERIC AND MAY NOT REFLECT ACTUAL CONDITIONS FOR A SPECIFIC SITE. IF SITE CONDITIONS CAUSE INSTALLATION TO DEVIATE FROM THE REQUIREMENTS DETAILED HEREIN, A LICENSED ENGINEER OR ARCHITECT SHALL PREPARE SITE SPECIFIC DOCUMENTS FOR USE WITH THIS DOCUMENT.



FL #: **FL22410**

DATE: **12.09.20**

DWG. BY: **YC** CHK. BY: **HFN**

SCALE: **NTS**

DWG. #: **EWS019**

SHEET:

**7**

OF 7